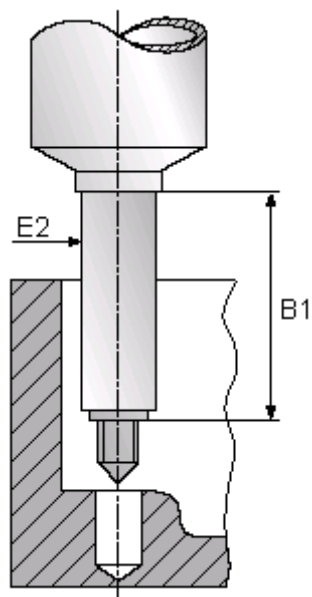


Article number: 12621000060000

Description: Industrial tool 621 000 060.000  
For M6

## Measures

---



B1 = 50

E2 = 10

For thread = M6